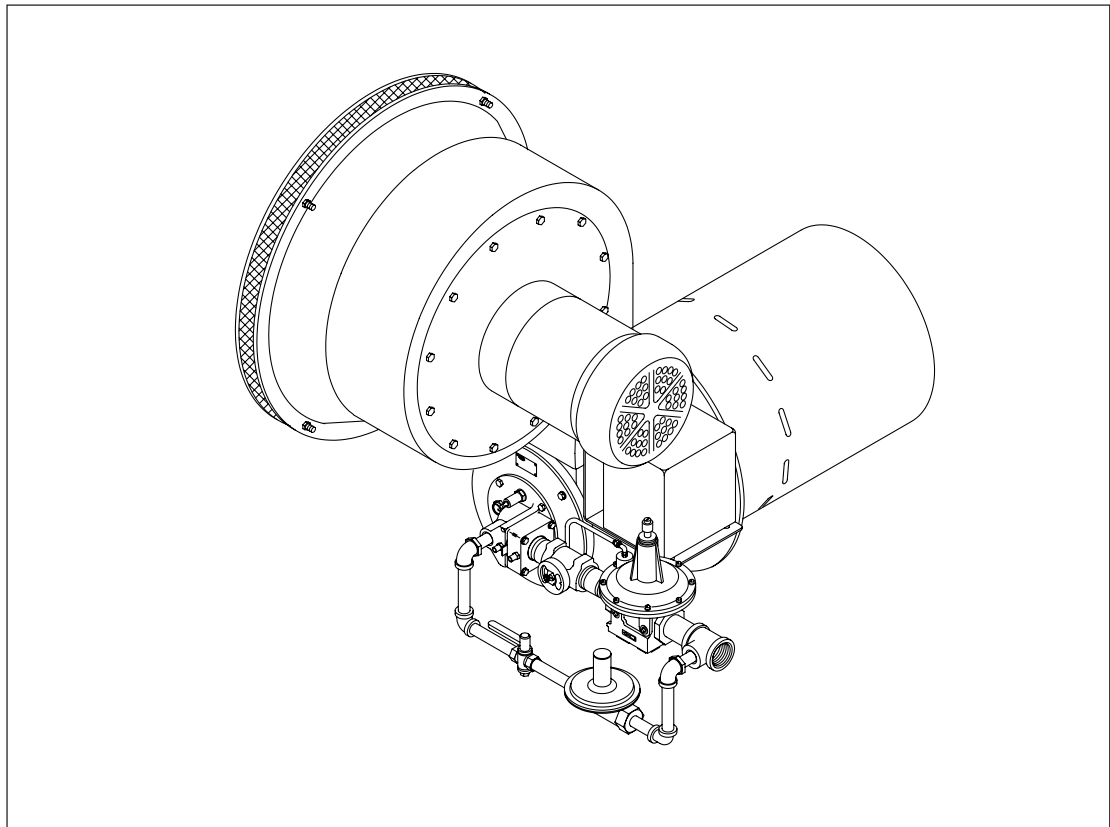




Winnox Burners

WX Series

Version 1.00



COPYRIGHT

Copyright 2005 by Eclipse, Inc. All rights reserved worldwide. This publication is protected by federal regulation and shall not be copied, distributed, transmitted, transcribed or translated into any human or computer language, in any form or by any means, to any third parties, without the express written consent of Eclipse, Inc., Rockford, Illinois, U.S.A.

DISCLAIMER NOTICE

We reserve the right to change the construction and/or configuration of our products at any time without being obliged to adjust earlier supplies accordingly.

The material in this manual is believed adequate for the intended use of the product. If the product, or its individual modules or procedures, are used for purposes other than those specified herein, confirmation of their validity and suitability must be obtained. Eclipse, Inc. warrants that the material itself does not infringe any United States patents. No further warranty is expressed or implied.

We have made every effort to make this manual as accurate and complete as possible. Should you find errors or omissions, please bring them to our attention so that we may correct them. In this way we hope to improve our product documentation for the benefit of our customers. Please send your corrections and comments to our Documentation Manager.

LIABILITY AND WARRANTY

It must be understood that Eclipse's liability for its products, whether due to breach of warranty, negligence, strict liability, or otherwise, is limited to the furnishing of such replacement parts and Eclipse, Inc. will not be liable for any other injury, loss, damage or expenses, whether direct or consequential, including but not limited to loss of use, income or damage to material arising in connection with the sale, installation, use of, inability to use or the repair or replacement of Eclipse's products.

Any operation expressly prohibited in this Guide, any adjustment, or assembly procedures not recommended or authorized in these instructions shall void the warranty.



About this manual

AUDIENCE

This manual has been written for people who are already familiar with all aspects of a nozzle-mix burner and its add-on components, also referred to as “the burner system.”

These aspects are:

- installation
- use
- maintenance.

The audience is expected to have had experience with this kind of equipment.

PURPOSE

The purpose of this manual is to ensure that the design of a safe, effective, and trouble-free combustion system is carried out.

WINNOX DOCUMENTS

Installation Guide No. III

- This document

Winnox Data Sheets, Series III

- Available for individual WX models
- Required to complete design, selection & installation

Design Guide No. III

- Used with Data Sheet to design burner system

Winnox Price List No. III

- Used to order burners

RELATED DOCUMENTS

- EFE 825 (Combustion Engineering Guide)
- Eclipse Bulletins and Info Guides: 684, 710, 732, 742, 756, 760, 930

DOCUMENT CONVENTIONS

There are several special symbols in this document. You must know their meaning and importance.

The explanation of these symbols follows below. Please read it thoroughly.



Danger:

Indicates hazards or unsafe practices which **WILL result in severe personal injury or even death. Only qualified and well trained personnel are allowed to carry out these instructions or procedures.**

Act with great care and follow the instructions.



Warning:

Indicates hazards or unsafe practices which could result in severe personal injury or damage.

Act with great care and follow the instructions.



Caution:

Indicates hazards or unsafe practices which could result in damage to the machine or minor personal injury, Act carefully.



Note:

Indicates an important part of the text. Read thoroughly.

HOW TO GET HELP

If you need help, contact your local Eclipse Combustion representative. You can also contact Eclipse Combustion at any of the addresses listed on the back of this document.



Table of Contents

	About this manual	3
	Table of Contents	5
1	Introduction	6
	Product description	6
2	Safety 7	
	Introduction	7
	Safety 7	7
	Capabilities	8
	Operator Training	8
	Replacement Parts	8
3	Installation	9
	Introduction	9
	Handling and Storage	9
	Approvals of Components	9
	Pre-installation Checklist	11
	Gas Piping	12
	Check List After Installation	14
4	Adjustment, Start & Stop	15
	Introduction	15
	Adjustment	15
	Step 1: Reset the system	15
	Step 2: Set low fire air	17
	Step 3: Ignite the Burner	18
	Step 3: Optional, low fire start with piloting gas	19
	Step 4: Set low fire gas	20
	Step 5: Set high fire gas	21
	Step 6: Verify Settings	22
5	Maintenance & Troubleshooting	23
	Appendix	28

Introduction

1

PRODUCT DESCRIPTION

The Winnox Version 1.00 is a nozzle-mix type, low-emissions burner designed for direct air heating, indirect air heating, and oven applications up to 1600 °F (875 °C).

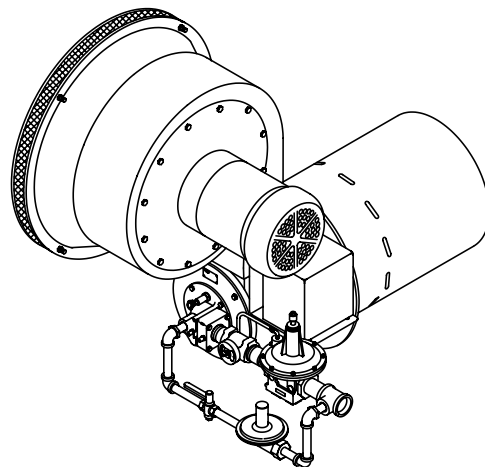
The burner package includes a combustion air blower and an air:gas ratio regulator to fire over a wide gas turndown range at a controlled ratio.

The burner is designed for:

- low NO_x and CO emissions
- efficient ratio controlled combustion
- reliable burner operation
- simple burner adjustment
- direct spark ignition
- multiple fuel capability

A wide variety of options and configurations are available due to the modular design of the burner.

Figure 1.1 The Winnox Burner





2

INTRODUCTION

SAFETY

This section is provided as a guide for the safe operation of the Winnox burner system. All involved personnel should read this section carefully before operating this system.



Danger:

The Winnox burners, described herein, are designed to mix fuel with air and burn the resulting mixture. All fuel burning devices are capable of producing fires and explosions if improperly applied, installed, adjusted, controlled, or maintained.

Do not bypass any safety feature; fire or explosion could result.

Never try to light a burner if it shows signs of damage or malfunction.



Warning:

The burner might have HOT surfaces. Always wear protective clothing when approaching the burner.



Note:

This manual provides information in the use of these burners for their specific design purpose. Do not deviate from any instructions or application limits described herein without written advice from Eclipse Combustion.

Read the entire this manual and all related documents before attempting to start this system. If you do not understand any part of the information contained in this manual, contact your local Eclipse representative or Eclipse Combustion before continuing.

CAPABILITIES

Only qualified personnel, with good mechanical aptitude and experience on combustion equipment, should adjust, maintain, or troubleshoot any mechanical or electrical part of this system.

OPERATOR TRAINING

The best safety precaution is an alert and trained operator.

Train new operators thoroughly and have them demonstrate an adequate understanding of the equipment and its operation. A regular retraining schedule should be administered to ensure operators maintain a high degree of proficiency.

REPLACEMENT PARTS

Order replacement parts from Eclipse Combustion only. All Eclipse Combustion approved, customer supplied valves or switches should carry UL, FM, CSA, CGA, and/or CE approval, where applicable.

Installation

3

INTRODUCTION

HANDLING AND STORAGE

APPROVALS OF COMPONENTS

In this chapter you will find information and instructions needed to install the burner and system components.

Handling

Inspect the system, make sure the components are clean and free of damage.

Use the appropriate support and handling equipment when lifting the burner.

Protect all components on the system from weather, damage, dirt and moisture.

Protect the system and its components from excessive temperatures and humidity.

Storage

When storing the system for an extended period Eclipse recommends placing it in a cool, clean, dry room.

Keep all the system components stored in their original packaging as long as possible.

Limit controls and safety equipment

All limit controls and safety equipment must comply with all applicable local codes and/or standards, which may include:

- NFPA Standard 86
- NFPA Standard 86C
- UL
- FM
- CGA
- EN 746-2

Electrical wiring

All electrical wiring must comply with all applicable local codes and/or standards, which may include:

- NFPA Standard 70
- ANSI-C11981
- EN 746-2

Gas piping

All gas piping must comply with all applicable local codes and/or standards, which may include:

- NFPA Standard 54
- CSAZ662-03, CAN/CSA B149.1
- EN 746-2, EN969

Where to get the standards:

NFPA:

National Fire Protection Agency
1 Batterymarch Park
Quincy, MA 02169
www.nfpa.org

ANSI:

American National Standard Institute
25 West 43rd St., 4th Floor
New York, NY 10036
www.ansi.org

UL:

Underwriters Labs
333 Pflingsten Road
Northbrook, IL 60062
www.ul.com

FM:

Factory Mutual System
1151 Boston-Providence Turnpike
P.O. Box 9102
Norwood, MA 02062
www.fmglobal.com

CSA:

The CSA Standards are available from:
178 Rexdale Boulevard
Toronto, Ontario
Canada M9W 1R3
www.csa-international.org

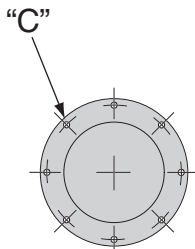
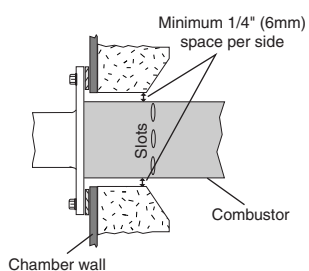
Information on the EN standards, and where to get the standards is available from:

Comité Européen de Normalisation
Strassartstraat 36
B-1050 Brussels

Comité Européen de Normalisation Electronique
Strassartstraat 36
B-1050 Brussels

PRE-INSTALLATION CHECKLIST

BURNER



Air Supply

Provide an opening in the burner room of at least one square inch per 3000 BTU/hr (5 cm² per 1 kW) to supply the burner intake with fresh, outdoor, combustion air.

If there are corrosive fumes or materials in the surrounding air, find an uncontaminated source to supply air to the burner.

Exhaust

Do not allow exhaust gases to accumulate in the work area. Provide a means for exhausting these gases from the building.

Access

Install the burners so they may be easily accessed for inspection and maintenance.

Environment

Be sure the burner operating environment matches the original operating specifications. Check the following items:

- voltage, frequency, and stability of electrical power
- fuel type and fuel supply pressure
- adequate fresh, clean, combustion air
- humidity, altitude, and temperature of the supply air
- presence of damaging corrosive gases in the air
- prevent direct exposure to water.

Chamber Opening

Provide an opening in the chamber wall at least 1/2" (12mm) larger in diameter than the outside diameter of the combustor (1/4" - 6mm per side).

Provide an accessible pressure tap on the chamber wall to measure the pressure inside the firing chamber. The pressure tap should be located near the burner.

Mounting Pattern

Attach eight mounting bolts to the chamber wall. Position these bolts to match the clearance holes (C) on the burner mounting flange. Refer to the appropriate Winnox data sheet.

INSTALLATION

(CONTINUED)

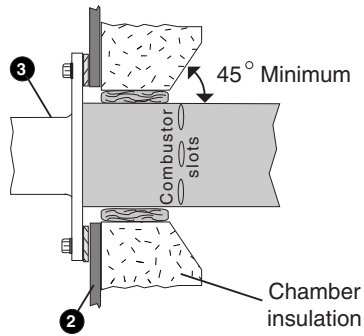


Figure 3.1 Chamber wall

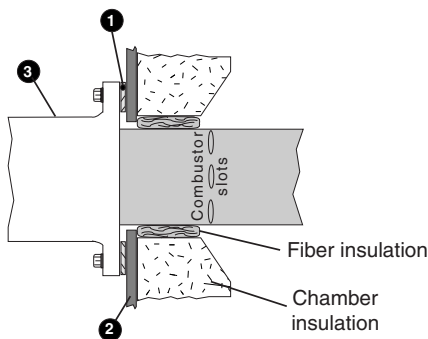
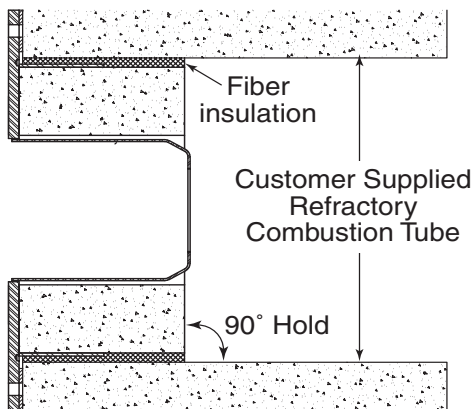


Figure 3.2 Alloy combustion tube



Chamber Wall

Make sure the chamber wall ② is strong enough to support the weight of the burner ③. If necessary, reinforce the mounting area.



Note:

The slots in the combustor must not be covered with insulation. If necessary, taper the chamber insulation at a minimum of 45° to provide clearance for the combustor slots.

Burner Mounting

Mount burner to chamber wall using eight (8) customer supplied nuts and lock washers.

Alloy Combustion Tube

1. Be sure gasket ① is installed between burner ③ and chamber wall ②.

2. Pack fiber insulation around the tube to a depth not beyond the combustor slot position, as illustrated.



Caution:

Placing insulation over combustor slots will impede burner performance and decrease combustor life

3. No gasket is supplied or required between burner and combustor.

Refractory Plug

When using the refractory plug the customer must provide a refractory combustion tube. The customer is responsible for supplying all refractory materials for combustion tube field installation as follows:

1. Install the chosen refractory realizing that it is essential that:

- the combustion tube dimensions are held as given on Eclipse drawings.
- the inside diameter of the combustion tube is concentric with the refractory plug.

2. Support refractory tube according to the refractory supplier's recommendations. The alloy anchors should be coated with bitumastic wherever they are used.

3. After the burner and refractory have been installed, a proper curing schedule should be followed according to refractory supplier's recommendations.

GAS PIPING

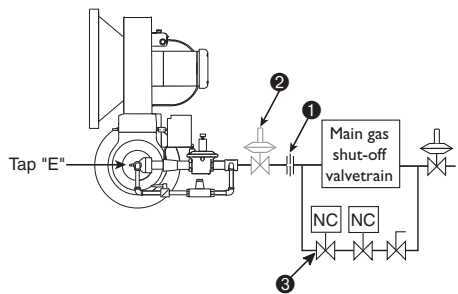
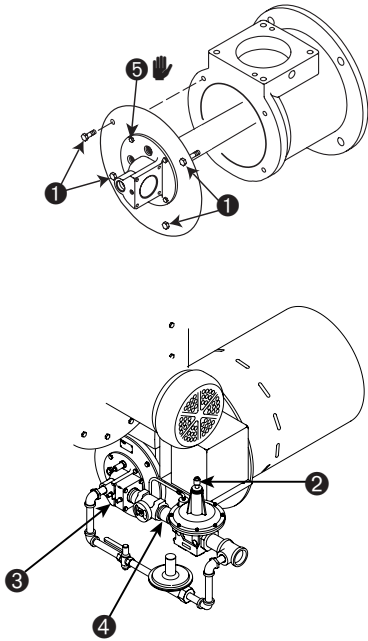


Figure 3.4 Optional start piping

Burner Piping

The burner is factory assembled and shipped as ordered.



Note:

If it is necessary to redirect piping, remove **OUTER FOUR BOLTS ONLY ①**. Rotate rear cover and replace bolts. When reassembling, be sure that:

- ratio regulator spring column ② is pointing up.
- arrow on the ratio regulator points in the direction of gas flow.
- integral fuel orifice and o-rings ③ are reinstalled.
- same straight run of pipe ④ remains between the ratio regulator and the burner .



Caution:

Do not attempt to redirect piping by removing the inner circle bolts ⑤. Internal burner parts will be damaged.

Supply Piping

Inlet pressure to the ratio regulator must stay within specified limits. Refer to the appropriate Winnox data sheet.

- Locate the valve train close to the burner. The gas must reach the burner during the fixed trial for ignition.
- Sufficiently size shut off valves in the valve train.
- Make sure piping is large enough.
- Minimize piping elbows.
- Install fuel flow measurement device ① upstream from the burner inlet.
- If necessary to maintain inlet pressures to the burner (see Data Sheet for your burner), install a gas pressure regulator ② upstream of the burner inlet and downstream of the valve train and fuel measurement device ①.

Pilot Start Gas Piping (optional)

Install the piping as shown in the schematics in Chapter 3 of the Winnox Design Guide No. 111 using the following guidelines:

- Locate the start gas solenoids ③ close to the burner. The gas must reach the burner during the trial for ignition period.
- Minimize piping elbows.

GAS PIPING (CONTINUED)

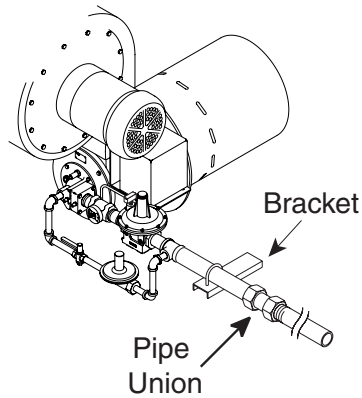


Figure 3.5 Pipe Connections

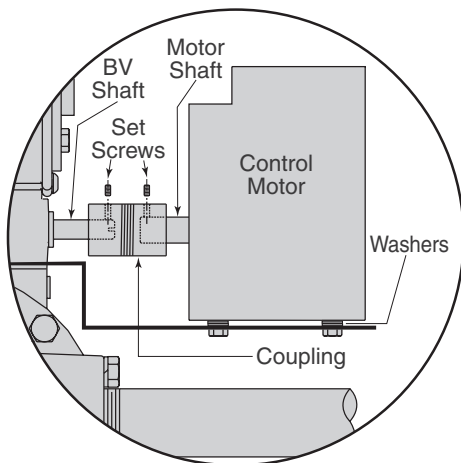


Figure 3.6 Control Motor

CHECK LIST AFTER INSTALLATION

Pipe Connections

- Installation of a pipe union in the gas line is recommended to simplify burner removal.
- Use of flexible pipe is optional.



Note:

Flexible pipe causes higher pressure drops than standard pipe. Consider this when sizing your gas lines.

Piping Support

Use brackets or hangers to support the gas piping. If you have questions, consult your local gas company.

Control Motor

Install a control motor to modulate the air butterfly valve if not previously installed on the burner.



Note:

Be sure the control motor shaft and air butterfly valve shaft are aligned properly. If using an Eclipse Actuator Mounting Parts Kit, the supplied washers may be used as shims (stacked 0, 1, or 2 high) to ensure proper alignment. Additionally, a flexible coupling can be used to handle minor misalignment.

To verify the system was properly installed, perform the following checks:

1. Be sure there are no leaks in the gas lines.
2. Be sure all the components contained in the flame monitoring and control system are properly installed. This includes verifying that:
 - all the switches are installed in the correct locations.
 - all wiring, pressure, and impulse lines are properly connected.
3. Be sure all components of the spark ignition system are installed and functioning properly.
4. Be sure the blower rotates in the proper direction. If the rotation is incorrect, have a qualified electrician rewire the blower to rotate in the proper direction.
5. Be sure all valves are installed in the proper location and correctly oriented relative to the flow direction.

Adjustment, Start & Stop

4

INTRODUCTION

In this chapter, you will find instructions on how to adjust, start, and stop the burner system. Become familiar with burner control methods before attempting to make adjustments..



Danger:

The Winnox burners, described herein, are designed to mix fuel with air and burn the resulting mixture. All fuel burning devices are capable of producing fires and explosions if improperly applied, installed, adjusted, controlled, or maintained.

Do not bypass any safety feature; fire or explosion could result.

Never try to light a burner if it shows signs of damage or malfunction.

ADJUSTMENT

Adjustment steps:

1. Reset the system
2. Set low fire air
3. Ignite the burner
4. Set low fire gas
5. Set high fire gas
6. Verify settings

Step 1: Reset the system

Reset procedure:

1. Set the low gas pressure switch to 20% below the “Main gas inlet pressure” range as specified in the appropriate data sheet.
2. Set the high gas pressure switch to 20% above the “Main gas inlet pressure” range as specified in the appropriate data sheet.
3. Close all the burner gas valves, manual and automatic.
4. Try to ignite the burner; be sure the flame monitoring system indicates a flame failure.

**Step 1: Reset system
(continued)**

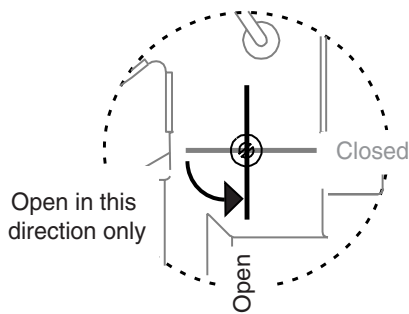
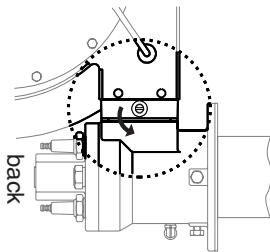


Figure 4.1 Air BV open direction

5. Activate the pressure switches and other limit interlocks. Be sure the switches fail as intended in the event of a power failure.



Danger

If simulated limits or simulated flame failures do not shut down the fuel system within the required failure response time, immediately correct the problem before proceeding.

6. If the burner is firing into a duct or chamber with a circulating fan, start the fan to produce a full process air flow past the burner.
7. Adjust main gas inlet pressure to the ratio regulator within the range specified in the appropriate data sheet.



Warning:

Gas inlet pressures must stay within the specified range. Pressure above the specified range can damage the ratio regulator.



Warning:

Pressure below the specified range can impair the ability of the ratio regulator to control the gas flow.

Operating the system outside the specified range can cause excess fuel consumption and the possible accumulation of unburned fuel in the chamber.

In extreme cases, this accumulation of unburned fuel may cause fires or explosions.

8. Verify that the actuator opens the air BV towards the back of the burner as shown. If it doesn't, refer to the actuator's literature for instructions on how to reverse the direction.

Step 2: Set low fire air

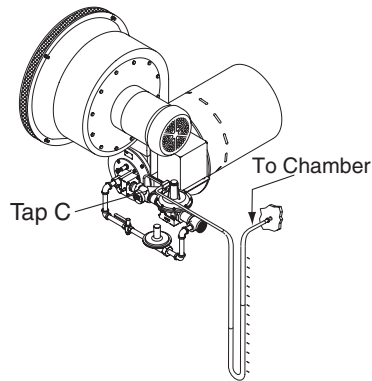


Figure 4.2 Air Differential Pressure

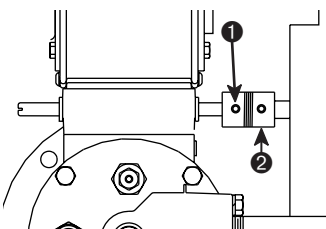


Figure 4.3 Air BV Adjustment

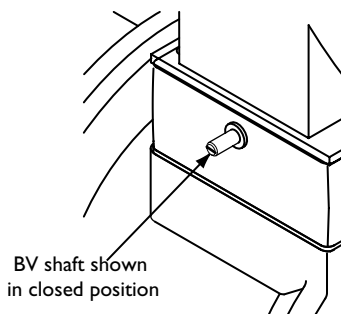


Figure 4.4 Air BV Shaft

Low fire air adjustment procedure:

1. Start combustion air blower.
2. Drive control motor to low fire position.
3. Measure air differential pressure between tap (C) and combustion chamber.



Note:

The pressure tap is in the open position when the screw inside the tap is unscrewed approximately 1/2 turn. Do not remove screw. Be sure to tighten pressure tap screw clockwise to the closed position after pressure measurements have been taken.

4. Set low fire air.
 - a. Loosen the set screw ① on burner side of coupling ②.



Note:

There is a slot in the end of the BV shaft that is parallel to the air damper. This slot is used for visual indication of the BV position. The BV is closed when the shaft slot is perpendicular to the direction of air flow through the BV.

- b. Rotate air BV shaft to fully closed position. (Holes in BV damper will supply low fire air.)



Note

When firing into a positive chamber pressure, rotate the air BV from closed position in the direction of actuator travel to obtain a minimum 0.3" w.c. (0,8 mbar) air differential pressure.

- c. Hold BV shaft firmly in place and tighten set screw ①.



Note:

High fire air adjustment is not required if burner is firing into a neutral pressure chamber and a 90° travel control motor is used.

It may be necessary to limit control motor stroke to less than 90° if firing into a large positive or negative chamber.

Contact your Eclipse Combustion representative for further information.

5. Verify high fire air
 - a. Drive control motor to high fire, full open.
 - b. Compare the high fire air differential pressure between tap (C) and the combustion chamber to the appropriate data sheet chart "Air ΔP vs. Input." If high fire air is insufficient, refer to Section 5, Troubleshooting and Maintenance, in this document.
6. Return the control motor to the low fire position.
7. Close the pressure taps.

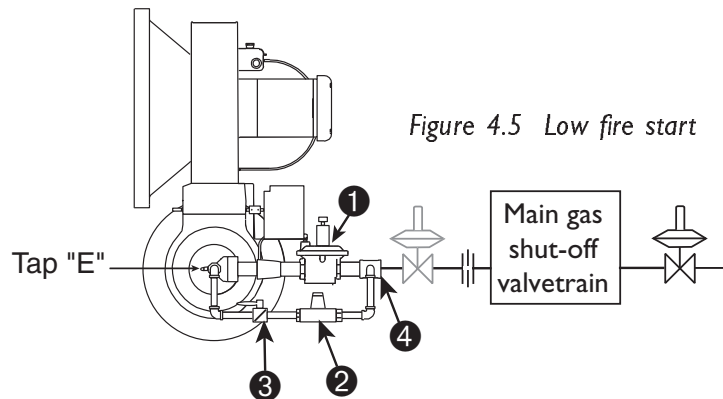
Step 3: Ignite the Burner

Low fire start



Warning:

These procedures are written with the assumption the burner has a flame monitoring control system installed and operating. A proper purge cycle must be part of the system and purge timing should not be bypassed.



Low fire start :

1. Drive control motor to low fire.
2. Be sure combustion air blower is running.
3. Turn bias adjusting screw ① on ratio regulator spring column three complete (360°) turns counter-clockwise (up) from bottom.
3. Open main gas manual shut off valves.
4. With pressure taps open, connect manometer between tap “E” and the chamber.
5. Set system control to stay at low fire during and after ignition sequence.
6. Attempt to ignite burner.
7. During trial for ignition, adjust bypass pressure regulator ② and adjustable limiting orifice ③ to achieve the appropriate ΔP between tap “E” and the chamber as listed in the appropriate data sheet.



Note:

If viewing the flame, it should be blue with flashes of yellow. The flame should be completely within the combustion tube. When firing propane or butane, a proper low fire flame may have sustained flashes of yellow.

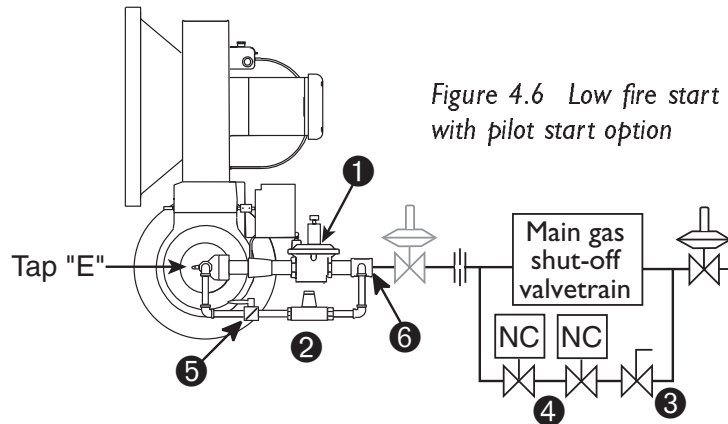
8. If burner does not ignite:
 - a. Attempt to ignite burner again to purge air from the gas piping.
 - b. If burner still does not ignite, turn bias adjusting screw ① a half turn clockwise to increase gas flow.
 - c. Repeat until burner ignites. If necessary, refer to Chapter 5, Maintenance and Troubleshooting in this manual, for help.
9. After ignition, verify low fire flame:
 - a. Shut off gas. When chamber temperature is below 250°F (121°C), shut off combustion air blower.
 - b. Restart combustion air blower and ignite burner.
 - c. Measure low fire gas pressure to the burner gas inlet ④. Verify pressure at ④ is within the range specified on the Data Sheet for your burner.
 - d. Verify repeatability of ignition and low fire flame signal.
10. Close all pressure taps.

Step 3: Optional: Ignite the Burner – Low fire start with pilot start option:



Warning:

These procedures are written with the assumption the burner has a flame monitoring control system installed and operating. A proper purge cycle must be part of the system and purge timing should not be bypassed.



Low fire start with piloting option:

1. Drive control motor to low fire.
2. Be sure combustion air blower is running.
3. Turn bias adjusting screw ① on ratio regulator spring column three complete (360°) turns counter-clockwise (up) from bottom.
4. Open manual shut off valve ③ in the piloting system.



Note:

Be sure main gas manual shut off valves are closed.

5. With pressure taps open, connect manometer between tap “E” and the chamber.
6. Set system control to stay at low fire during and after ignition sequence.
7. Attempt to ignite burner by energizing spark and bypass gas solenoid valves ④.
8. During trial for ignition, adjust bypass pressure regulator ② and adjustable limiting orifice ⑤ to achieve the appropriate ΔP between tap “E” and the chamber as listed in the appropriate data sheet.



Note:

If viewing the flame, it should be blue with flashes of yellow. The flame should be completely within the combustion tube. When firing propane or butane, a proper low fire flame may have sustained flashes of yellow.

9. If burner does not ignite:
 - a. Attempt to ignite burner again to purge air from the gas piping.
 - b. If burner still does not ignite, turn bias adjusting screw ① a half turn clockwise to increase gas flow.
 - c. Repeat until burner ignites. If necessary, refer to Chapter 5, Maintenance and Troubleshooting in this manual, for help.
10. After ignition, verify bypass flame:
 - a. Shut off gas. When chamber temperature is below 250°F (121°C), shut off combustion air blower.
 - b. Restart combustion air blower and ignite burner.
 - c. Measure low fire gas pressure to the burner gas inlet ⑥. Verify pressure at ⑥ is within the range specified on the Data Sheet for your burner.
 - d. Verify repeatability of ignition and low fire flame signal.
11. Close all pressure taps.

Step 4: Set low fire gas

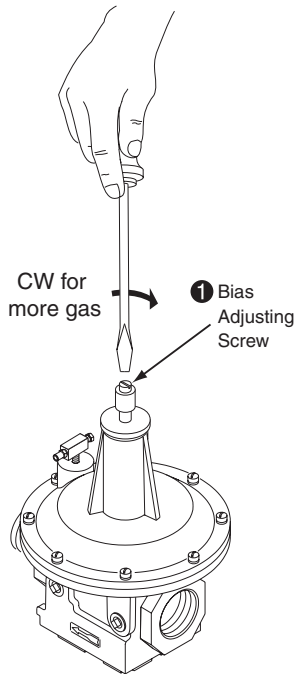
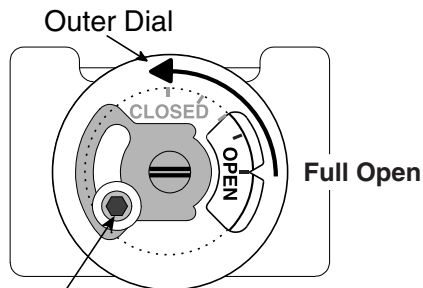


Figure 4.7 Ratio regulator adjustment



Set Screw

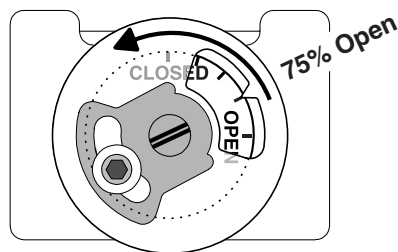


Figure 4.8 Manual BV adjustment

Set low fire gas procedure:



Warning:

This procedure is written with the assumption the burner has a flame monitoring control system installed and operating. A proper purge cycle must be part of the system and purge timing should not be bypassed.

1. Verify bias adjusting screw ❶ on ratio regulator spring column is three full clockwise turns ($360^\circ \times 6$) up from the bottom.
2. Set manual gas BV to 75% open.



Note:

To adjust manual BV:

- a. Loosen set screw.
 - b. Turn dial.
 - c. Tighten set screw.
3. Open all manual gas shut off valves.
 4. Set system control to stay at low fire during and after ignition sequence.
 5. With taps open, connect manometer between tap “B” and combustion chamber.
 6. Ignite the burner.
 7. Turn bias adjusting screw ❶ slightly to achieve 0.1” w.c. (0.3 mbar) ΔP between tap “B” and combustion chamber. Repeat ignition sequence until burner lights.



Note:

If viewing the flame, it should be blue with flashes of yellow. The flame should be completely within the combustion tube. When firing propane or butane, a proper low fire flame may have sustained flashes of yellow.

8. Verify low fire flame .
 - a. Drive control motor from low fire and back. Verify low fire and stable flame signal are repeated.
 - b. Turn the burner off and repeat the ignition sequence. Verify low fire and stable flame signal are repeated.
9. Close all pressure taps.

Step 5: Set high fire gas

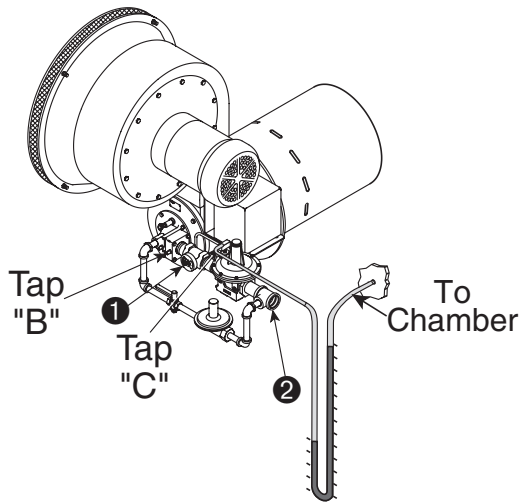


Figure 4.9 High fire gas adjustment

Set high fire gas procedure

1. Set manual gas BV to 75% open.



Note:

To adjust manual BV:

- a. Loosen set screw.
- b. Turn outer dial.
- c. Tighten set screw.

2. With burner lit, drive control motor to high fire position.
3. Measure air loading line pressure from Tap "C" to chamber.
4. Refer to "Air ΔP vs. Input" graph on appropriate Data Sheet and determine the desired input for measured air ΔP .
5. Measure gas flow and input using customer supplied measuring device.
6. Adjust high fire gas flow using manual butterfly valve ❶ (Refer to step 1 for adjustment procedure) to match the desired input determined in step 4.
7. Measure gas pressure at the burner inlet ❷ and verify the pressure is within the range specified on the Data Sheet.
8. If required gas flow cannot be achieved, refer to Chapter 5, Maintenance and Troubleshooting for guidance.

Step 6: Verify Settings

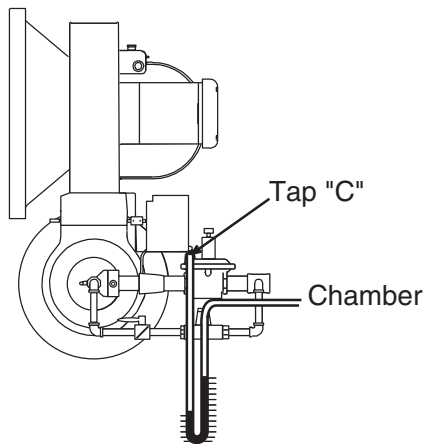


Figure 4.10 Verify pressure settings

Setting verification:

1. With burner lit, drive control motor to high fire.
2. Wait for the chamber to reach normal operating conditions (e.g. chamber temperature, process flows, etc.).
3. Measure high fire fuel using fuel flow measurement device. Compare this to rated high fire on Data Sheet.
4. Measure high fire air differential pressure between tap (C) and the chamber. Compare this pressure to the “Air ΔP vs. Input” chart on the data sheet.
5. Drive the control motor to low fire and verify low fire flame signal and flame appearance (if viewing).
6. Cycle burner from high to low several times to check repeatability of settings.
7. Readjust burner if the settings do not repeat as expected. If necessary, refer to Chapter 5, Maintenance & Troubleshooting.
8. Use the system setup summary sheet on page 30 to record all setup data as an aid for future troubleshooting and setup operations.



Caution:

Do not turn the combustion air blower off until the chamber temperature is below 250°F (121°C). This will prevent hot gases from back flowing into the burner and blower causing damage to the burner.

9. Stop the burner.



Maintenance & Troubleshooting

5

INTRODUCTION

This chapter is divided into two sections:

- Maintenance procedures
- Troubleshooting guide

Preventive maintenance is the key to a reliable, safe and efficient system. The core of any preventive maintenance system is a list of periodic tasks.

MAINTENANCE



Note:

These are guidelines only. The customer should make the final determination on maintenance intervals and tasks to be performed while considering the working environment.

Monthly Checklist

1. Inspect the flame sensing devices for good condition and cleanliness.
2. Check for proper air/gas pressures (Refer to the Winnox Data Sheets, Series 111).
3. Test all the system alarms for proper response signals.
4. Check and clean igniter electrodes.
5. Check the air control valve for smooth, trouble free operation and adjustment.
6. Check for the proper operation of ventilating equipment.
7. Test the interlock sequence on all safety equipment. Manually force each interlock to intentionally fail while at the same time noting if related equipment closes or stops as specified by the manufacturer. Test the flame safeguard by manually shutting off the gas to the burner.
8. Test the manual gas shut off cocks for proper operation.
9. Clean and/or replace the combustion air blower filter.
10. Inspect and clean the combustion air blower rotor.

Yearly Checklist

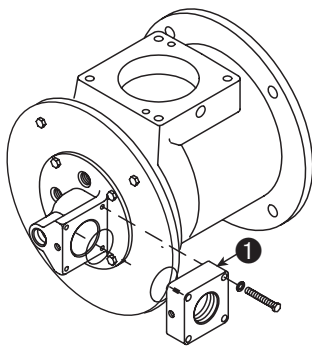


Figure 5.1 Component inspection

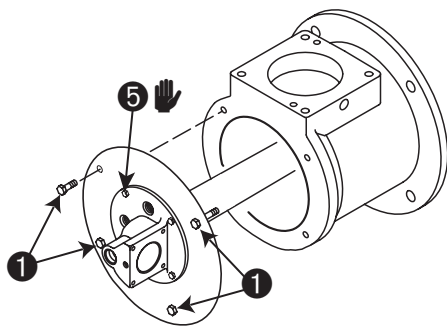


Figure 5.2 Nozzle inspection

1. Leak test the safety shut-off valves for tightness of closure.
2. Test the pressure switch settings by checking the switch movements against pressure settings and comparing these with the actual impulse pressure.
3. Visually check igniter cable and connectors.
4. Inspect impulse piping for leaks.
5. Be sure the following components are not damaged or distorted:
 - the burner nozzle.
 - the igniter.
 - the flame sensors.
 - the combustion tube or block.

The nozzle can be inspected without removing the burner from the chamber wall or entering the chamber. Perform the following:

- a. Shut the burner off and manually close the main gas shut off cocks.
- b. Allow the chamber temperature to cool down to 250°F (121°C).
- c. Disconnect the gas piping at a union or the gas inlet flange ① provided on the burner.
- d. Remove the four bolts ②.



Caution:

Do not attempt to remove rearcover by removing the inner circle bolts ⑤. Internal burner parts will be damaged.

- e. Remove the rear cover ③ from the burner housing ④.
- f. To reassemble, follow this sequence in the reverse order.



Note:

The combustor can be inspected only by removing the burner from the chamber wall or entering the chamber.

TROUBLESHOOTING PROCEDURES

PROBLEM	POSSIBLE CAUSE	SOLUTION
Start-up sequence runs but burner does not light.	No ignition: <ul style="list-style-type: none"> There is no power to the ignition transformer. 	Restore the power to the ignition transformer.
	No ignition: <ul style="list-style-type: none"> Open circuit between the ignition transformer and the igniter. 	Repair or replace the wiring to the igniter.
	No ignition: <ul style="list-style-type: none"> The igniter needs cleaning. 	Clean the igniter.
	No ignition: <ul style="list-style-type: none"> The igniter is not correctly grounded to the burner. 	Clean the threads on the igniter and the burner. NOTE: Do not apply grease to the threads on the igniter.
	No ignition: <ul style="list-style-type: none"> Igniter insulator is broken. Igniter is grounding out. 	Inspect the igniter. Replace if broken.
	Ignitor grounds out: <ul style="list-style-type: none"> Ignitor is bent. 	Inspect ignitor by removing nozzle and rear cover. Check if gaps exist, readjust if needed.
	Not enough gas: <ul style="list-style-type: none"> The gas pressure going into the ratio regulator is too low. 	Check the start-up settings. Measure the gas pressures and adjust where necessary.
	Not enough gas: <ul style="list-style-type: none"> The impulse line to the ratio regulator is leaking. 	Repair any leaks.
	Not enough gas: <ul style="list-style-type: none"> The adjustable orifice valve is not open far enough. 	Adjust bypass or low fire gas.
	Not enough gas: <ul style="list-style-type: none"> Start gas solenoid valve does not open. 	Check the solenoid valve coil for proper operation. Replace it if necessary.
	Not enough gas: <ul style="list-style-type: none"> Gas valve does not open. 	Check the wiring to the automatic gas shut-off valve. Check the output from the flame safeguard. Open manual gas cock.
	Not enough gas: <ul style="list-style-type: none"> Ratio regulator is incorrectly set. 	Adjust the ratio regulator to the proper setting.

PROBLEM	POSSIBLE CAUSE	SOLUTION
Start-up sequence runs but burner does not light. <i>(continued)</i>	No flame signal: <ul style="list-style-type: none"> • Broken flamerod • Dirty UV scanner lens 	Inspect and clean sensor Replace if necessary
	Too much gas: <ul style="list-style-type: none"> • Gas BV too far open 	Check for proper setting.
The low fire flame is weak or unstable.	<ul style="list-style-type: none"> • Not enough gas flowing to the burner. 	Adjust the ratio regulator or bypass fuel adjustable orifice valve to increase the gas flow.
	<ul style="list-style-type: none"> • Not enough air. 	Check for proper blower rotation. Check air filter for blockage. Compensate for chamber by opening the low fire air butterfly valve position.
The burner goes out when it cycles to high fire.	<ul style="list-style-type: none"> • Not enough gas pressure into the ratio regulator. 	Check the start-up settings. Measure the gas pressures and adjust them where necessary. Check for valve train pressure loss.
	<ul style="list-style-type: none"> • Loading line to the ratio regulator is leaking. 	Repair the leak in the loading line.
The burner is erratic and does not respond to adjustment.	Internal damage to the burner: <ul style="list-style-type: none"> • Some parts inside the burner are loose, dirty, or burned out. 	Contact your Eclipse representative or Eclipse Combustion for further information.
The burner is unstable or produces soot, smoke, or excessive carbon monoxide.	<ul style="list-style-type: none"> • The air/gas ratio is out of adjustment. 	Measure all the gas pressures and air pressures. Compare these pressures to the documented initial start-up settings and adjust them where necessary.
The burner cannot achieve full capacity.	<ul style="list-style-type: none"> • Air filter is blocked. 	Clean or replace the air filter.
	<ul style="list-style-type: none"> • Gas pressure going into the ratio regulator is too low. 	Adjust the gas pressure.

PROBLEM	POSSIBLE CAUSE	SOLUTION
Cannot initiate a start sequence.	<ul style="list-style-type: none"> Air pressure switch has not made contact. 	Check air pressure switch adjustment. Check air filter. Check blower rotation. Check outlet pressure from blower.
	<ul style="list-style-type: none"> High gas pressure switch has activated. Low gas pressure switch has activated. 	Check incoming gas pressure. Adjust gas pressure if necessary. Check pressure switch setting and operation.
	<ul style="list-style-type: none"> Malfunction of the flame safeguard system (e.g., shorted-out flame sensor or electrical noise in the sensor line). No power to the control unit. 	Have a qualified electrician troubleshoot and correct the problem.
	<ul style="list-style-type: none"> Main power is off. 	Be sure the main power to the system is switched to the “on” position.



Appendix

CONVERSION FACTORS

Metric to English.

From	To	Multiply By
cubic meter (m ³)	cubic foot (ft ³)	35.3 l
cubic meter/hour (m ³ /h)	cubic foot/hour (cfh)	35.3 l
degrees Celsius (°C)	degrees Fahrenheit (°F)	(°C × 1.8) + 32
kilogram (kg)	pound (lb)	2.205
kilowatt (kW)	BTU/hr	3414
meter (m)	foot (ft)	3.28
millibar (mbar)	inches water column ("w.c.)	0.40 l
millibar (mbar)	pounds/sq in (psi)	14.5 × 10 ⁻³
millimeter (mm)	inch (in)	3.94 × 10 ⁻²
MJ/m ³ (normal)	BTU/ft ³ (standard)	2.49 l × 10 ⁻²

Metric to Metric.

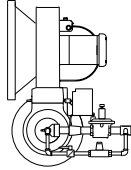
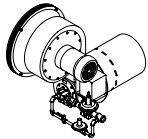

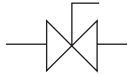
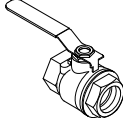
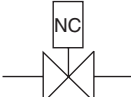
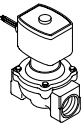
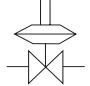
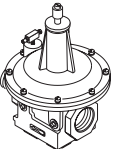
kiloPascals (kPa)	millibar (mbar)	10
meter (m)	millimeter (mm)	1000
millibar (mbar)	kiloPascals (kPa)	0.1
millimeter (mm)	meter (m)	0.00 l

English to Metric.

From	To	Multiply By
BTU/hr	kilowatt (kW)	0.293 × 10 ⁻³
cubic foot (ft ³)	cubic meter (m ³)	2.832 × 10 ⁻²
degrees Fahrenheit (°F)	degrees Celsius (°C)	(°F – 32) ÷ 1.8
foot (ft)	meter (m)	0.3048
inches (in)	millimeter (mm)	25.4
inches water column ("wc)	millibar (mbar)	2.49
pound (lb)	kilogram (kg)	0.454
pounds/sq in (psi)	millibar (mbar)	68.95
BTU/ft ³ (standard)	MJ/m ³ (normal)	40. l4

KEY TO SYSTEM SCHEMATICS

These are the symbols used in the schematics.

Symbol	Appearance	Name	Remarks	Bulletin/ Info Guide
		Winnox		
		Main Gas Shutoff Valve Train	Eclipse Combustion, Inc. strongly endorses NFPA as a minimum	756
		Gas Cock	Gas cocks are used to manually shut off the gas supply on both sides of the main gas shut-off valve train.	710
		Solenoid Valve (normally closed)	Solenoid valves are used to automatically shut off the gas supply on a bypass gas system or on small capacity burners.	760
		Pressure Regulator	A pressure regulator reduces gas pressure to a stable, usable pressure.	684
		Ratio Regulator	A ratio regulator is used to control the air/gas ratio. The ratio regulator is a sealed unit that adjusts the gas flow in ratio with the air flow. To do this, it measures the air pressure with a pressure sensing line, the impulse line. This impulse line is connected between the top of the ratio regulator and the burner body.	742

System Setup Summary

Parameter	Setting	
	Low Fire	High Fire
Main gas pressure		
Gas pressure into the ratio regulator		
Bypass fuel differential pressure: <i>Tap "E" - Chamber</i>		
HighFire Input: <i>Fuel Flow Measurement Device</i>		
Loading line pressure: <i>Tap "C" - Chamber</i>		
Flame signal strength		

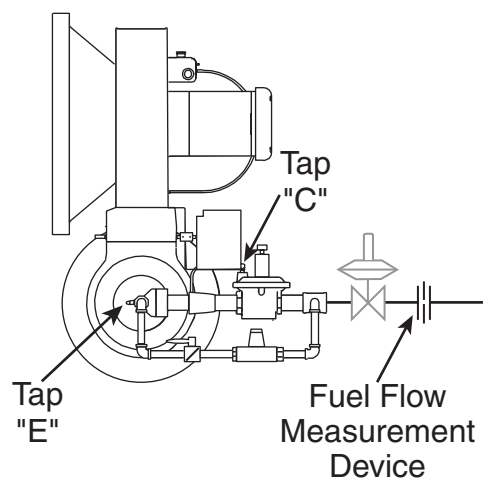


Figure A.1
Tap locations



Offered By:

Power Equipment Company
2011 Williamsburg Road
Richmond, Virginia 23231
Phone (804) 236-3800
Fax (804) 236-3882

www.peconet.com